

4

Ø20

Jakob

Einba

100

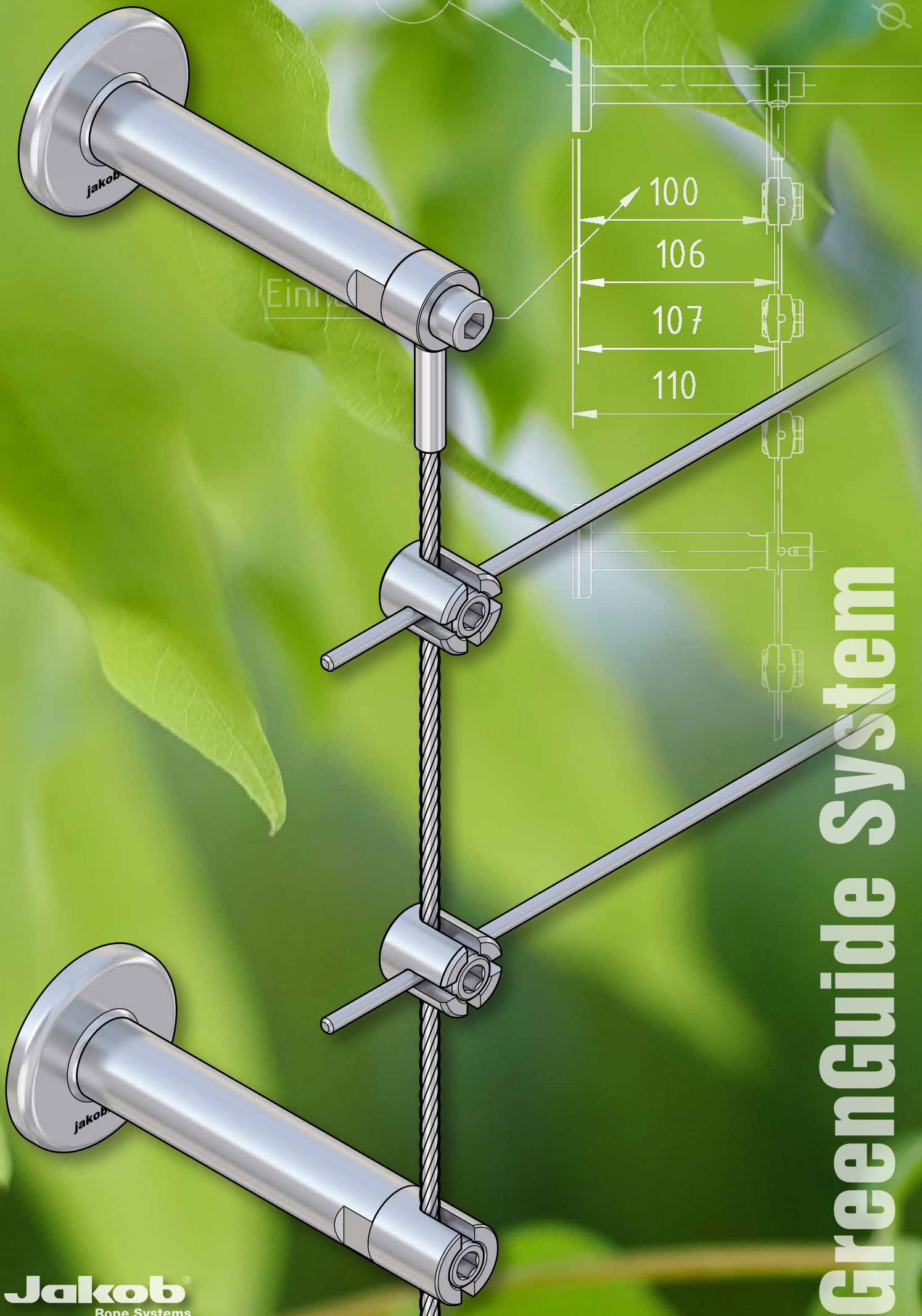
106

107

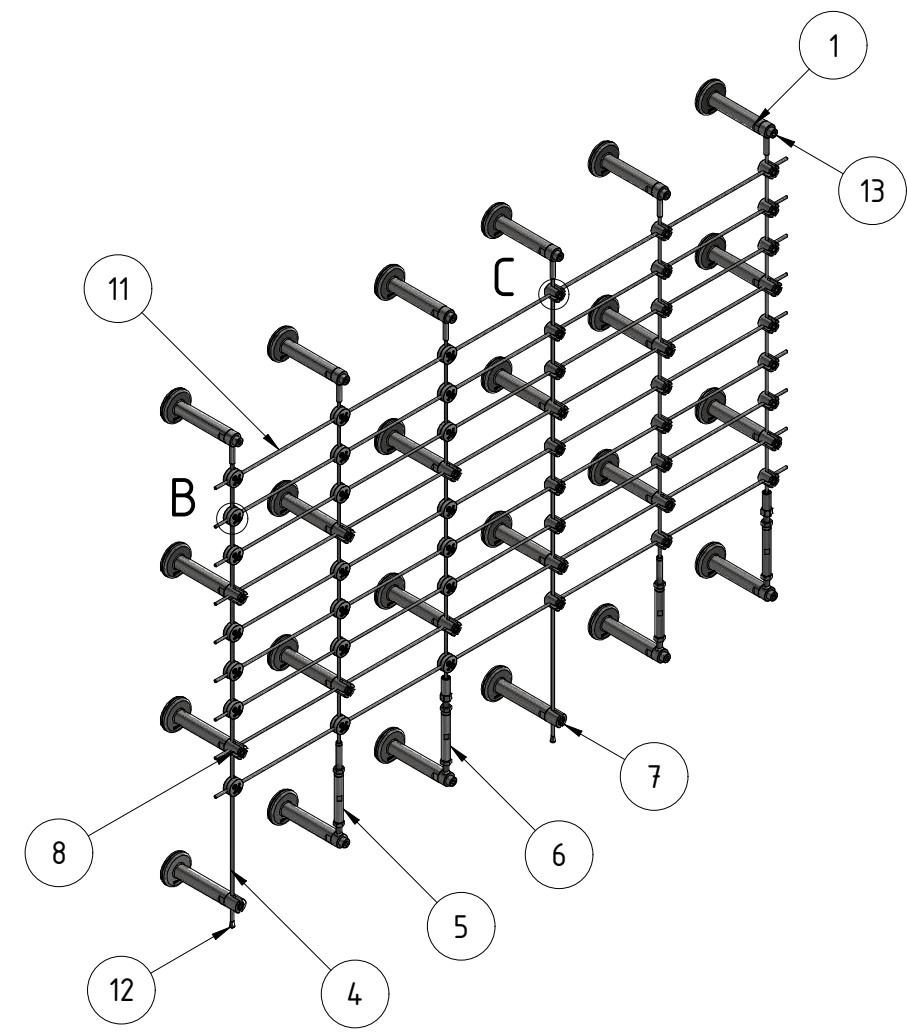
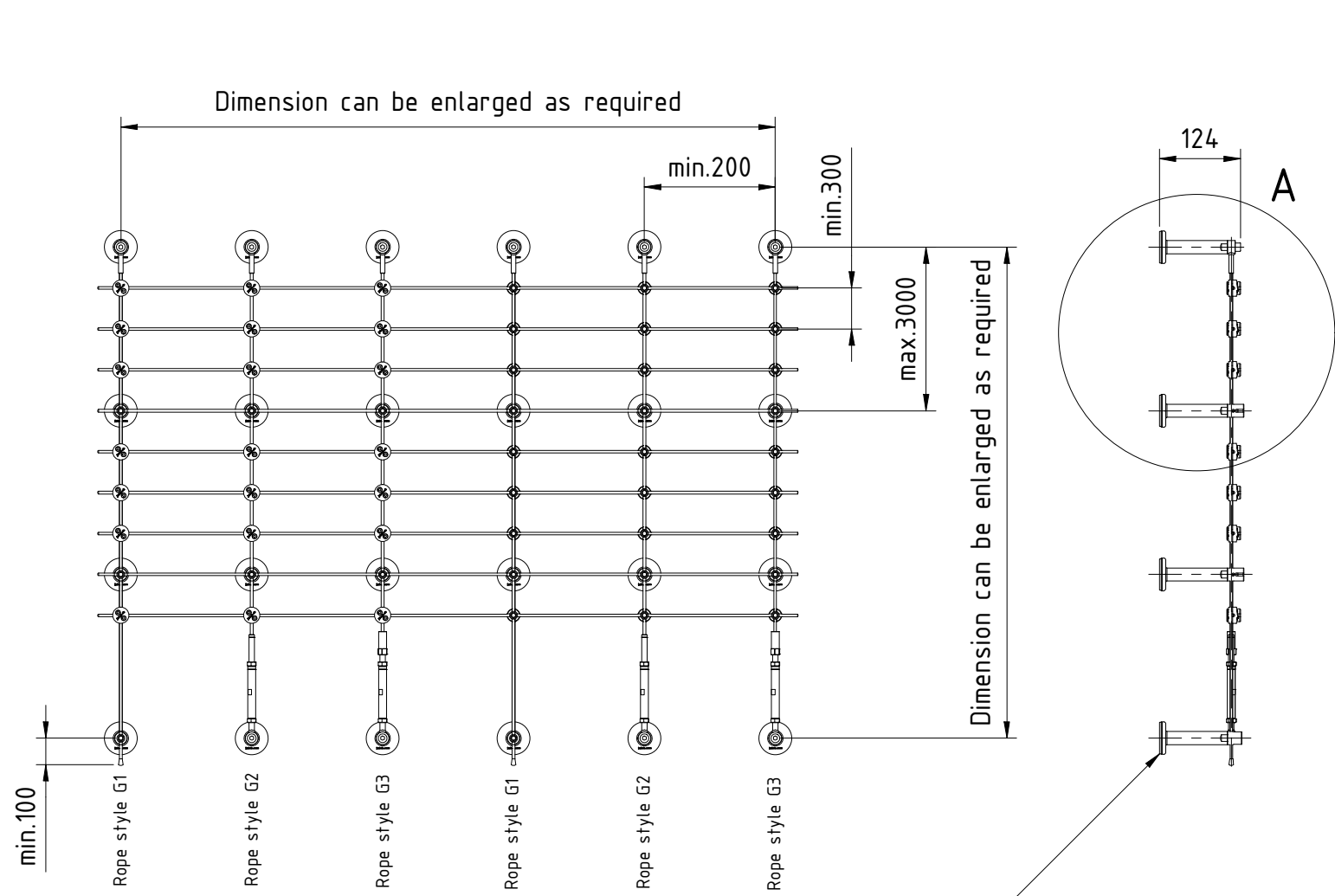
110

GreenGuide System

Jakob

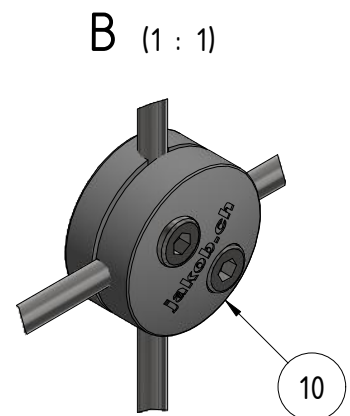
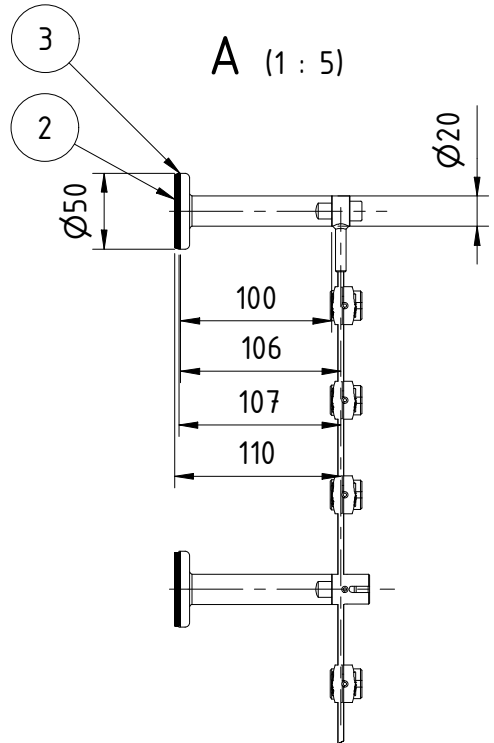


The reproduction, distribution and utilization of this drawing as well as the communication of its contents to others without express authorization is prohibited. Offenders will be held liable for the payment of damages. All rights reserved in the event of the grant of a patent, utility model or design.

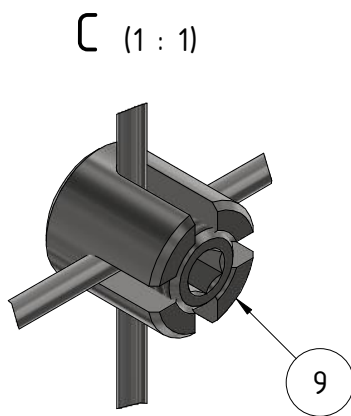


Discs to protect the facade and to reduce thermal transfer

System for selection with rope styles G1 / G2 / G3 (20811-000x-xx), as pos. 4,5,6
 Assembly material according to catalog G2 technical, p. 71
 The whole system has been calculated without turnbuckles
 The maximal system dimensions have to be modified in case of large building heights or strong wind regions
 The dimensions are not indicated according to scale



System with plastic cross clamp
30920-0400-02



Cross clamp stainless steel
30858-0400

13	10	30844-0800-020	Socket head screw DIN 912 M8x20 A4
12	2	30804-0400	Wire rope end caps
11	9	30922-0400-00	Horizontal rod
10	21	30920-0400-02	Cross clamp, plastic
9	21	30858-0400	Cross clamp
8	12	30858-0400-04	Cross clamp GreenGuide
7	2	30920-0400-07	Rope guide GreenGuide
6	2	20811-0003-00	Rope style G3, Assembly length b=?
5	2	20811-0002-01	Rope style G2, Assembly length b=?
4	2	20811-0001	Rope style G1, Assembly length b=?
3	24	30896-0802-50	Sliding disc for spacers
2	24	30896-0801-50	Protective disc for spacers
1	24	30919-0100-00	Spacer GreenGuide

Pos.	Anz./Qty.	Art.-No. / Standard	Bezeichnung / Description	Gewicht / Weight										
				11.907 kg										
GreenGuide System EN technical p. 19, 20, 21														
Gezeichnet	lru	Datum	03.08.2020	<table border="1"> <tr> <td>Massstab / Scale</td> <td>1 : 10</td> </tr> <tr> <td>Gepüft</td> <td>lru</td> <td>Datum</td> <td>03.08.2020</td> </tr> <tr> <td>Freigegeben</td> <td>lru</td> <td>Datum</td> <td>03.08.2020</td> </tr> </table>	Massstab / Scale	1 : 10	Gepüft	lru	Datum	03.08.2020	Freigegeben	lru	Datum	03.08.2020
Massstab / Scale	1 : 10													
Gepüft	lru	Datum	03.08.2020											
Freigegeben	lru	Datum	03.08.2020											
Blatt 1 von 1														

Jakob[®]
Rope Systems

Jakob AG
3555 Trubschachen
Switzerland

165859

Index
A

Weitergabe sowie Vervielfältigung dieser Zeichnung, Verwertung und Mitteilung ihres Inhalts ist verboten, soweit nicht ausdrücklich gestattet. Zuwiderhandlungen verpflichten zu Schadensersatz. Alle Rechte für den Fall der Patent-, Gebrauchsmuster- oder Geschmacksmustervereintragung vorbehalten.